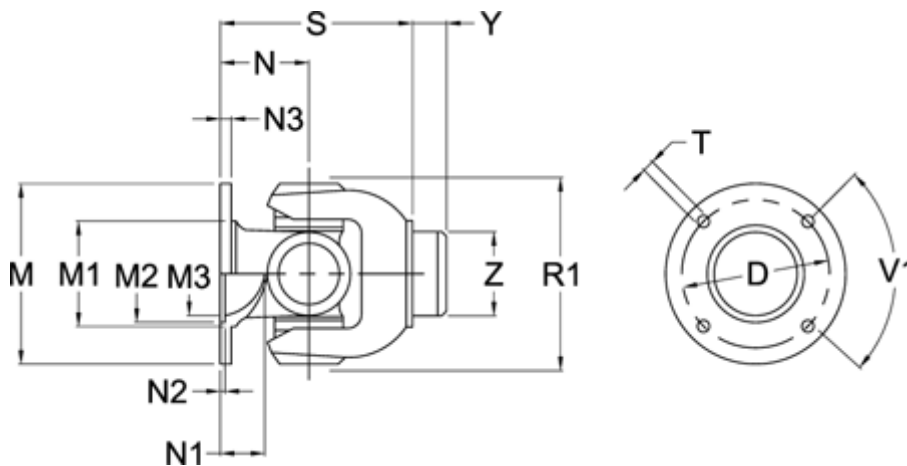


Article number: 07105051001

Description: Universal joint single 0.105.051.001  
S=62 X= Bore with keyway

## Measures



D	= 52 +-0,1	N2	= 1,7 +0,3	Z = 25.25
Flange diameter M	= 65	N3	= 4	
M1	= 38	Number og Flangeholes	= 4	
M2	= 35	R1	= 52	
M3	= 28	S min	= 62	
Max. Bending Angle degrees	= 25	T	= 6 B12	
N	= 30	V1 degrees	= 90	
N1	= 12	Y	= 13	